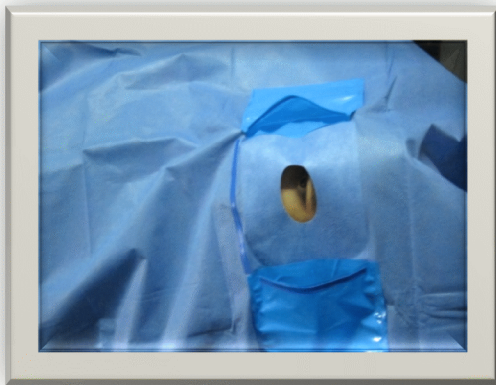


PINNACLE OPHTHALMIC DRAPE
AN ISO 13485 - 2003 COMPANY

PINNACLE TECHNOLOGIES, established in Mumbai (Maharashtra) India in the year 2003 is engaged in manufacturing surgical disposable drapes and steri pouches & rolls.

Our ophthalmic drapes are made from a light weight non woven Breathable fabric or from poly Material that allows fluid to run away from the operative area into specifically Designed fluid Drain pouches, ensuring that the drapes are remain dry and the patient is comfortable.

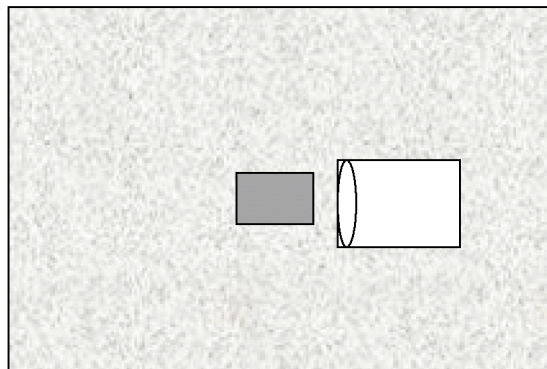


Pinnacle ophthalmic drapes are available in individual Pack to cover most surgical ophthalmic procedures like cataract, retinal. Lasik ect... We can make customized packs also as per your needs

PE WHITE FILM



DRAIN POUCH



SMS WHITE /
35 gsm



ADHESIVE AREA /



SMS BLUE /
50 gsm



PE FILM

PINNACLE OPHTHALMIC DRAPE
AN ISO 13485 - 2003 COMPANY

C.NO. P0002, INCISE DRAPE MINI.

SIZE: 10 X 15 CM

ADHESIVE AREA: 10 X 10 CM

PACK: 50 DRAPES PER BOX



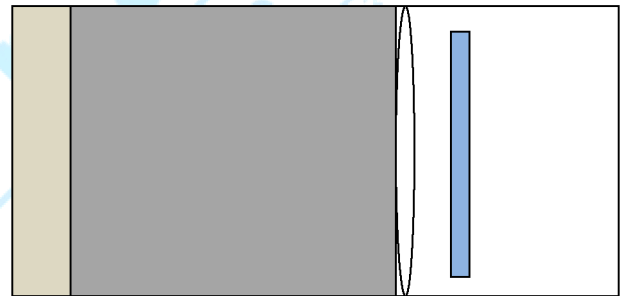
C.NO. P0006.

INCISE DRAPE MINI WITH POUCH

SIZE: 12 X 15 CM

ADHESIVE AREA: 12 X 15 CM

PACK: 50 DRAPES PER BOX



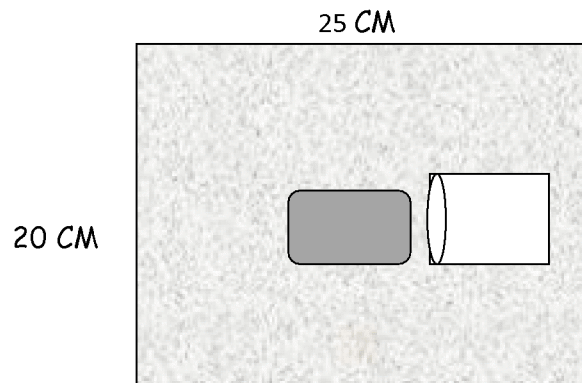
C.NO. P0004

EYE DRAPE SMALL WITH POUCH

SIZE: 20 X 25 CM

ADHESIVE AREA: 7 X 9 CM

PACK: 50 DRAPES PER BOX



SMS WHITE /
35 gsm



ADHESIVE AREA /



SMS BLUE /
50 gsm



PE FILM

PINNACLE OPHTHALMIC DRAPE
AN ISO 13485 - 2003 COMPANY

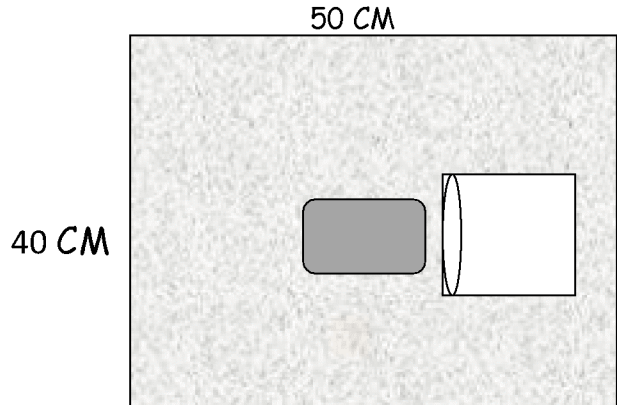
C. NO. P0012

EYE DRAPE MEDIUM WITH POUCH

SIZE: 40 X 50 CM

ADHESIVE AREA: 7 X 9 CM

PACK: 50 DRAPES PER BOX



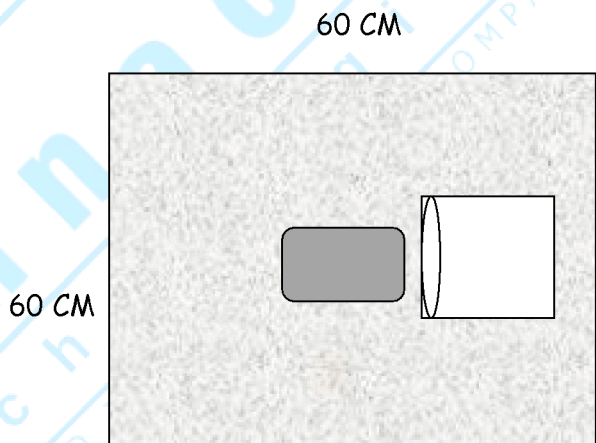
C NO. P0014

EYE DRAPE WITH POUCH

SIZE: 60 X 60 CM

ADHESIVE AREA: 7 X 9 CM

PACK: 50 DRAPES PER BOX



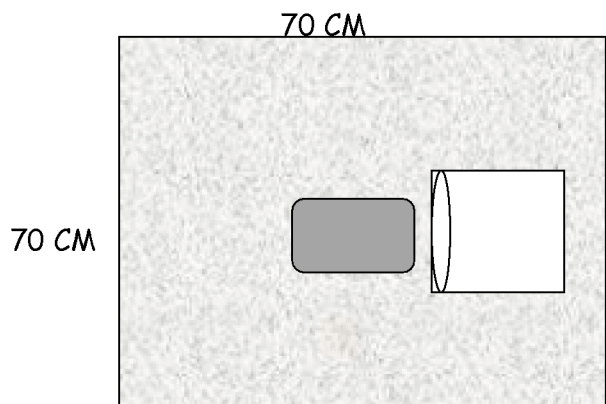
C.NO. P0001

EYE DRAPE WITH POUCH

SIZE: 70 X 70 CM

ADHESIVE AREA: 7 X 9 CM

PACK: 50 DRAPES PER BOX



SMS WHITE /
35 gsm



ADHESIVE AREA /



SMS BLUE /
50 gsm



PE FILM

PINNACLE OPHTHALMIC DRAPE
AN ISO 13485 - 2003 COMPANY

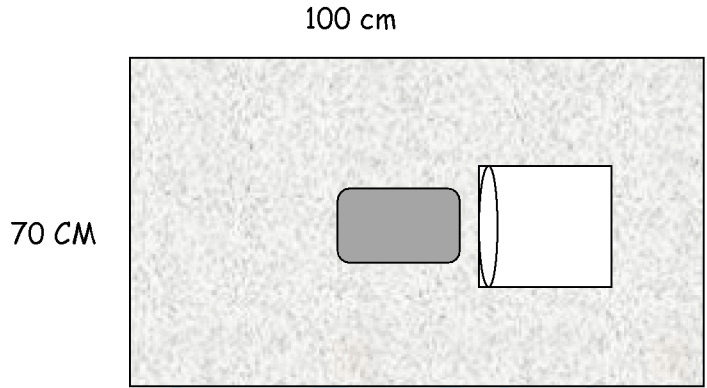
C.NO. P0013

EYE DRAPE WITH POUCH

SIZE: 100 X 70 CM

ADHESIVE AREA: 7 X 9 CM

PACK: 50 DRAPES PER BOX



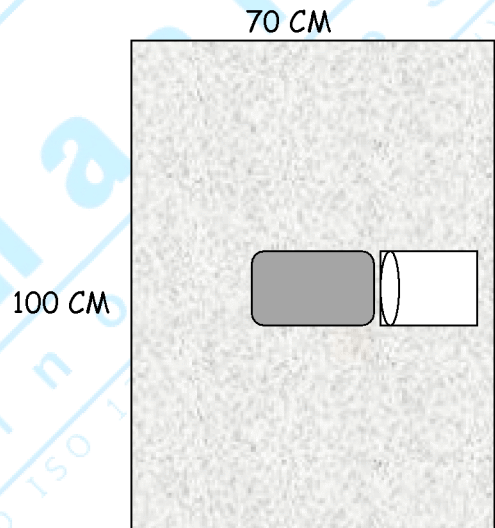
C. NO. P013V

EYE DRAPE WITH POUCH

SIZE. 70 X100 CM

ADHESIVE AREA: 7 X 9 CM

PACK: 40 DRAPES PER BOX



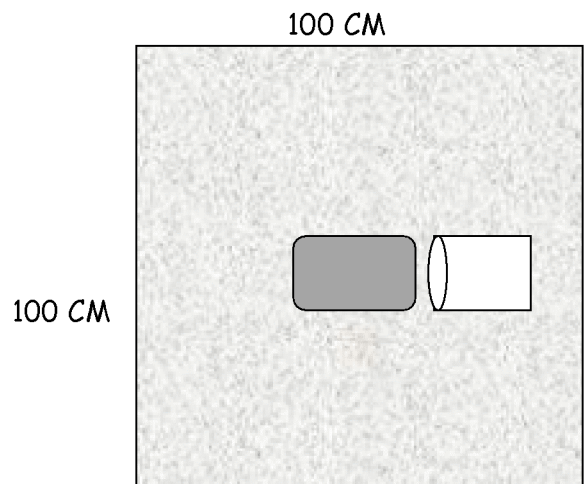
C.NO . P0021

EYE DRAPE WITH POUCH

SIZE. 100 X 100 CM

ADHESIVE AREA. 7 X 9 CM

PACK: 30 DRAPES PER BOX



SMS WHITE /
35 gsm



ADHESIVE AREA /



SMS BLUE /
50 gsm



PE FILM

PINNACLE OPHTHALMIC DRAPE
AN ISO 13485 - 2003 COMPANY

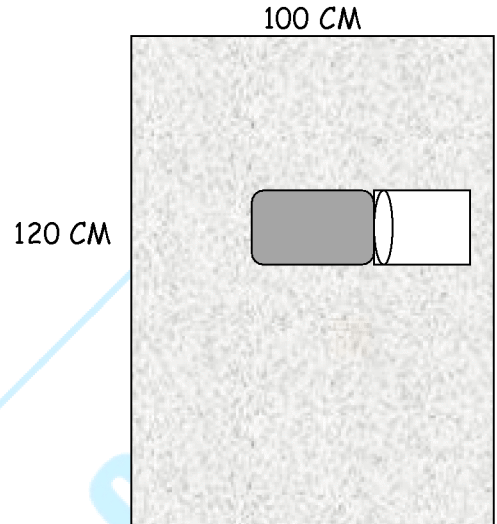
C. NO . P0023

EYE DRAPE WITH POUCH

SIZE. 100 X 120 CM

ADHESIVE AREA. 7 X 9 CM

PACK: 30 DRAPES PER BOX



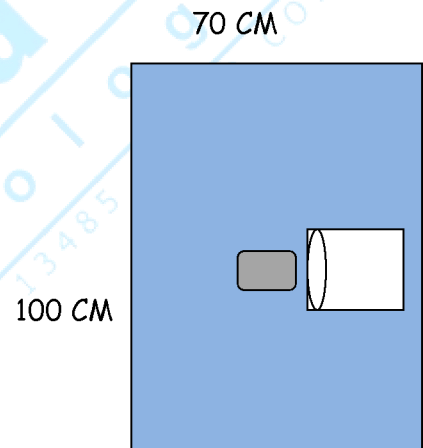
C. NO . B13P

EYE DRAPE BLUE WITH POUCH

SIZE. 70 X 100 CM

ADHESIVE AREA : 7 X 9 CM

PACK : 40 DRAPES PER BOX



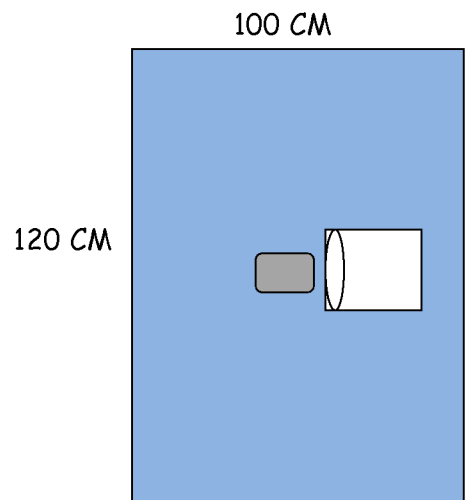
C. NO . B23P

EYE DRAPE BLUE WITH POUCH

SIZE : 100 X 120 CM

ADHESIVE AREA : 7 X 9 CM

PACK: 30 DRAPES PER BOX



SMS WHITE /
35 gsm



ADHESIVE AREA /



SMS BLUE /
50 gsm



PE FILM

PINNACLE OPHTHALMIC DRAPES
AN ISO 13485 - 2003 COMPANY

C.NO. B1065

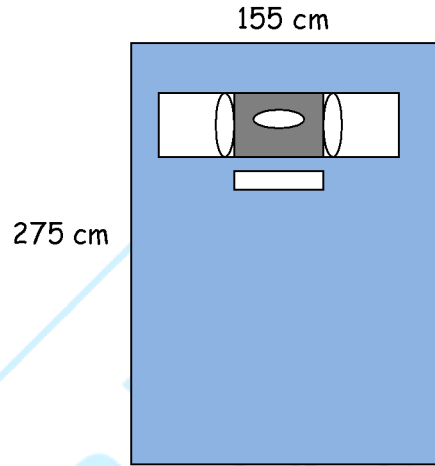
LARGE OPHTHALMIC DRAPES WITH TWO POUCHES

SIZE: 155 X 275

ADHESIVE AREA: 9 X 12 CM

ADHESIVE APERTURE SIZE: 6 X 3 CM

PACK: 10 DRAPES PER BOX



C. NO . B1055

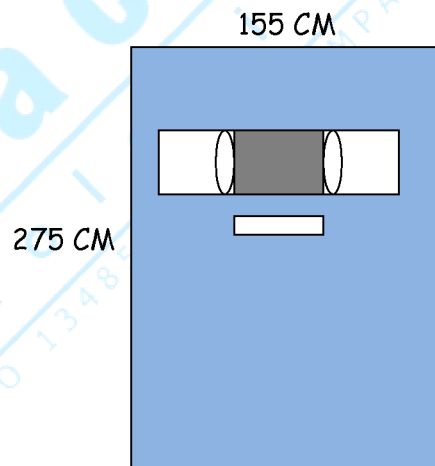
LARGE OPHTHALMIC DRAPES WITH TWO POUCHES

SIZE: 155 X 275 CM

ADHESIVE AREA: 9 X 12 CM

ADHESIVE APERTURE SIZE: 6 X 3 CM

PACK: 10 DRAPES PER BOX



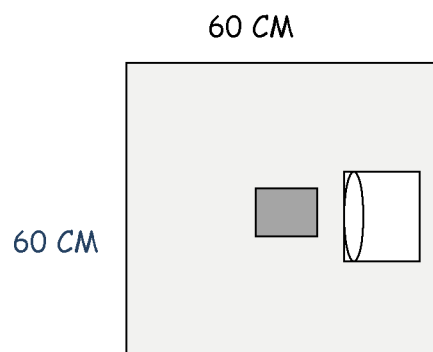
C.NO. 0601

EYE DRAPE POLY

SIZE: 60 X60 CM

ADHESIVE AREA: 7 X 9 CM

PACK: 50 DRAPES PER BOX



SMS WHITE /
35 gsm



ADHESIVE AREA /



SMS BLUE /
50 gsm



PE FILM

PINNACLE OPHTHALMIC DRAPES
AN ISO 13485 - 2003 COMPANY

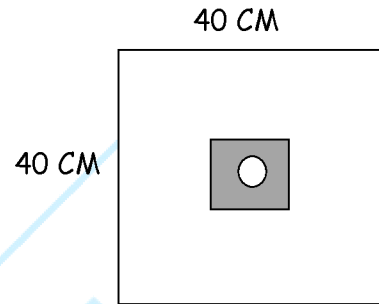
C.NO . 1020 SMALL DRAPE WITH ADHESIVE APERTURE

SIZE: 40 X 40 CM

ADHESIVE AREA : 10 X 12 CM

CIRCULAR APERTURE SIZE : 6.3 CM

PACK : 50 DRAPES PER BOX

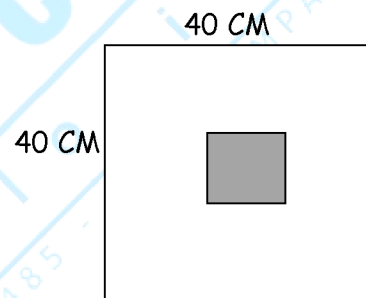


C, NO . 1021 SMALL DRAPE WITH INCISE FILM

SIZE: 40 X 40 CM

ADHESIVE AREA: 10 X 12 CM

PACK: 50 DRAPES PER BOX



C.NO. 1030

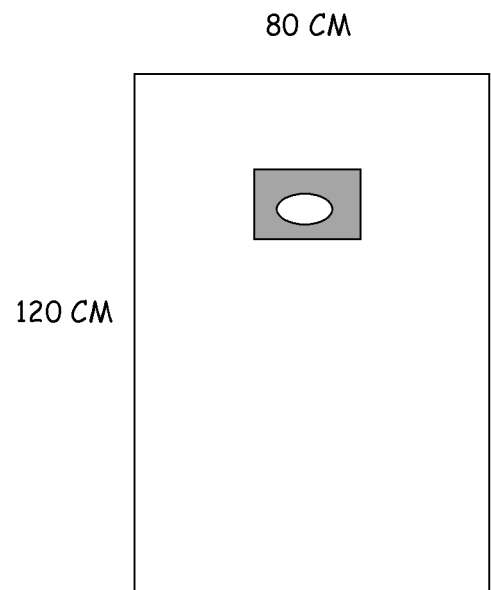
MEDIUM DRAPE WITH ADHESIVE APERTURE

SIZE: 80 X 120 CM

ADHESIVE AREA 10 X 12 CM

ADHESIVE APERTURE SIZE : 3 X 6 CM

PACK: 50 DRAPES PER BOX



SMS WHITE /
35 gsm



ADHESIVE AREA /



SMS BLUE /
50 gsm



PE FILM

PINNACLE OPHTHALMIC DRAPES
AN ISO 13485 - 2003 COMPANY

REFRACTIVE (LASIK) DRAPES

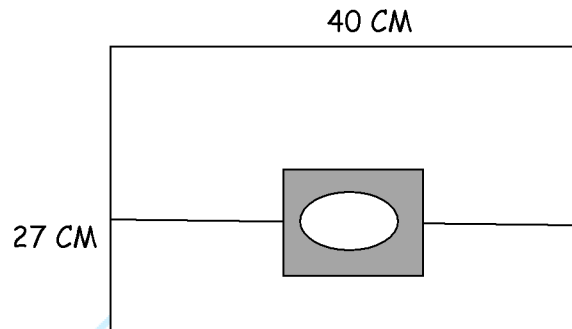
C. NO : 1022 LASIK DRAPE

SIZE: 40 X 27 CM

ADHESIVE AREA: 7.5 X 7.5 CM

ADHESIVE SIZE: 4.5 X 4 CM

PACK: 50 DRAPES PER BOX



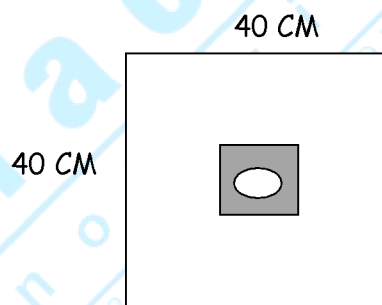
C.NO. 1022A LASIK DRAPE

SIZE: 40 X 40 CM

ADHESIVE AREA: 10 X 12 CM

ADHESIVE APERTURE SIZE: 3.5 X 2.5 CM

PACK: 50 DRAPES PER PACK



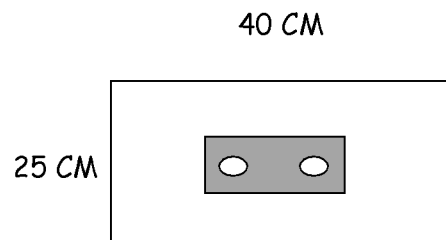
C.NO. 1022B LASIK DRAPE

SIZE: 40 X 25 CM

ADHESIVE AREA: 17 X 8 CM

ADHESIVE APERTURE SIZE: 3.5 X 2.5 CM (2 NOS)

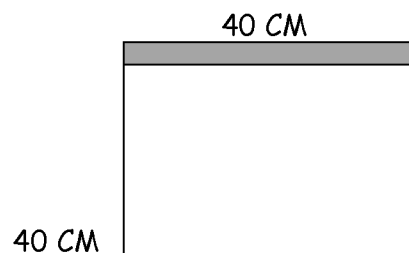
PACK: 50 DRAPES PER BOX



C. NO. 1022C ADHESIVE TOWEL

SIZE: 40 X 40 CM, ADHESIVE AREA 1.2 X 40 CM

PACK : 50 DRAPES PER BOX



SMS WHITE /
35 gsm



ADHESIVE AREA /



SMS BLUE /
50 gsm



PE FILM

PINNACLE OPHTHALMIC DRAPE
AN ISO 13485 - 2003 COMPANY

MADE IN INDIA BY:-

PINNACLE TECHNOLOGIES

201, Q - WING, NETAJI BUILDING,

SION - MAHIM LINK ROAD,

MAHIM (EAST),

MUMBAI 400 017

INDIA.

TEL +91 22 24031718 / 32053543

E-MAIL: pinnacledrapes@hotmail.com / pinnacledrapes@yahoo.in

WEB: www.pinnacledrapes.com



SMS WHITE /
35 gsm



ADHESIVE AREA /



SMS BLUE /
50 gsm



PE FILM